



EPEC | ELECTRONIC PIN
EURO CYLINDER

EPEC | ELECTRONIC PIN EURO CYLINDER

The EPEC provides a multi-user PIN code functionality & management for Euro Cylinder lockbodies.

The Electronic PIN Euro Cylinder (EPEC) will help provide your door with a smarter lock. The EPEC replaces traditional fixed or floating cam key lock Euro cylinder with a digital-key & turn operation; while retaining the existing lock body and handle.

While most digital-key entry locks are only a single handle body lock option, EPEC is designed to fit the existing euro cylinder profile and provide a greater choice of designs in handle furniture and lock bodies.

The EPEC allows you to create and manage up to two groups and 12 unique PIN codes; you'll never have to worry about losing a key again.

PRODUCT DETAILS

MATERIAL	Stainless steel, brass and zinc construction
FINISH AVAILABLE	Satin Black Satin Chrome
SUITS	Standard Euro cylinder profile lock bodies
AVAILABLE SIZES	62mm Cylinder body 70mm Cylinder body
APPLICATIONS	Front & Rear Entry Doors French Hinged Doors Sliding Doors Hinged Doors Security Doors



TESTING

- Cycle Testing
- Battery Life Cycle Testing
- Ingress Protection Testing (IP55)
- Penetration Testing
- Salt Bath Testing
- Ultimate Testing
- Software Testing

COLOURS



SATIN CHROME

SATIN BLACK

FEATURES



KEYLESS ENTRY

Enter a 6 digit PIN Code which acts as a digital key and rotate to unlock/lock.



LOCK CYLINDER UPGRADE KIT

Designed to quickly and easily upgrade any existing Euro Cylinder lockbody. Can replace either fixed and floating cam locks.



MULTI-ORIENTATED

PIN pad always positions #1 as the top left PIN location.



MULTI-GROUP ACCESS CONTROL

Provides complete access control allowing up to 2 groups, 12 unique user codes, and limited temporary codes for trades and visitors.



TOUGH AND SECURE

Stainless Steel 316 Actuators and Anti Drill Plate for tamper protection. Highest security standards against software attack.



LONG BATTERY LIFE

Up to 3 years and 9,000 operations. Easy to change CR2 battery and low battery warning with Micro USB connection for backup power.



WEATHERPROOF

IP55 rated against rain, hail, snow and dust.



DEADLOCKING AND SNIB MODE

Deadlocking level security. Programmable internal snib operation via keypad.

DORIC PRODUCT COMPATIBILITY

EPEC can be used in conjunction with these following Doric hardware:



DS2400
Sliding Mortice
Lock



DS1400
Hinged Door
Lock



DS1500
Hinged Door
Lock



DS1600
Hinged Door
Lock



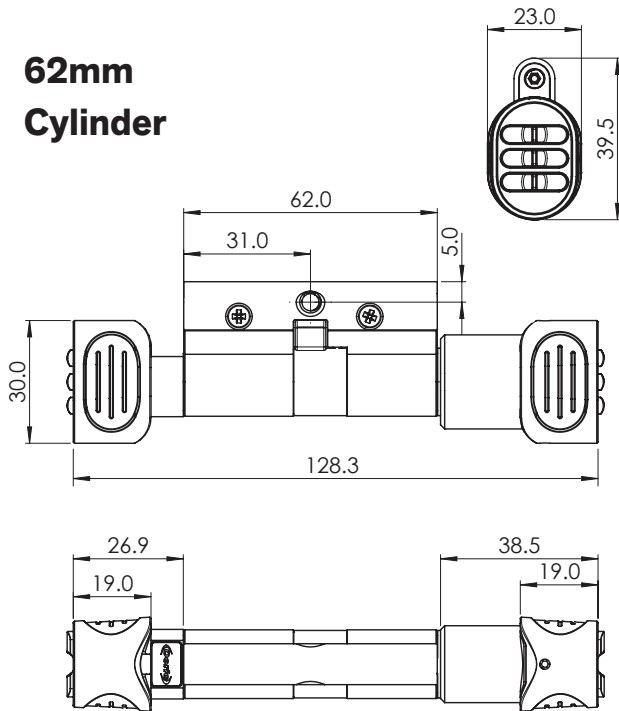
DS2075
Hinged Barrier
Door Lock



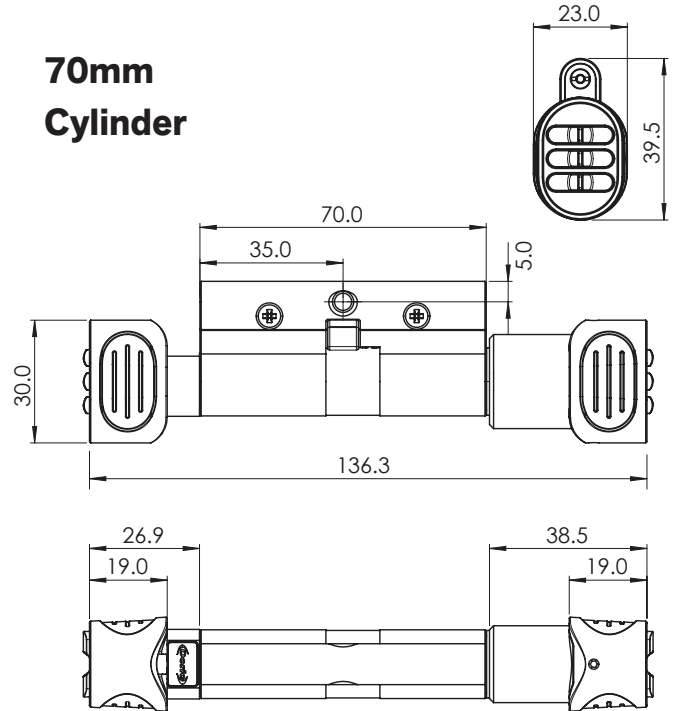
DS2220
Sliding Barrier
Door Lock

DIMENSIONS

62mm Cylinder



70mm Cylinder



HOW TO ORDER

CODE	COLOUR	LENGTH
9052176	Satin Chrome	62mm
9052178	Satin Black	62mm
9052177	Satin Chrome	70mm
9052179	Satin Black	70mm

FIND OUT MORE

Watch the EPEC video,
download installation instructions
& view more on our website:
doric.com.au/product/epec



INNOVATORS

OF HARDWARE FOR WINDOWS AND DOORS

EPEC - Electronic Pin Euro Cylinder_1_4 - 03.11.2020

SYDNEY

38 Redfern St,
Wetherill Park
Sydney, NSW 2164
Australia
Ph: +61 2 9609 2555
www.doric.com.au

AUCKLAND

26/C Triton Drive,
Albany, North Shore,
Auckland 0632
New Zealand
Ph: +64 9 415 5535
www.doric.co.nz

KUALA LUMPUR

No.17 Jalan 51/203A,
Kawasan Perindustrian Tiong Nam,
Seksyen 51, 46050 Petaling Jaya,
Selangor, Malaysia
Ph: +603 777 33 628
www.doric.com.my

